



edge Pi Head 2.0

Remote Controlled: Yes

3-Axis Gyro-Stabilized: Yes

Mounting Base: Mitchell

Operator Options: Joysticks, Wheels

Temperature Range: -30° to + 130°F

Head Weight: 85 lbs. (38.5 kg)

Maximum Camera Weight: 220 lbs. (100 kg)

Operational Speed: Up to 100 mph

Stabilization Specs: Up to 500mm Lens

Dimensions: (See Mechanical Drawings on Page 2)

Pan Range: 360° (Maximum 10 Revolutions)

Tilt Range: 220°

Roll/Dutch Range: +30°/- 30°

Pan Speed: 180° per second

Tilt Speed: 180° per second

Roll/ Dutch Speed: 100° per second

OPTIONAL ACCESSORIES:

---Wheels Controls

---Spray Deflector

---Shaker Module

---Tracker Module

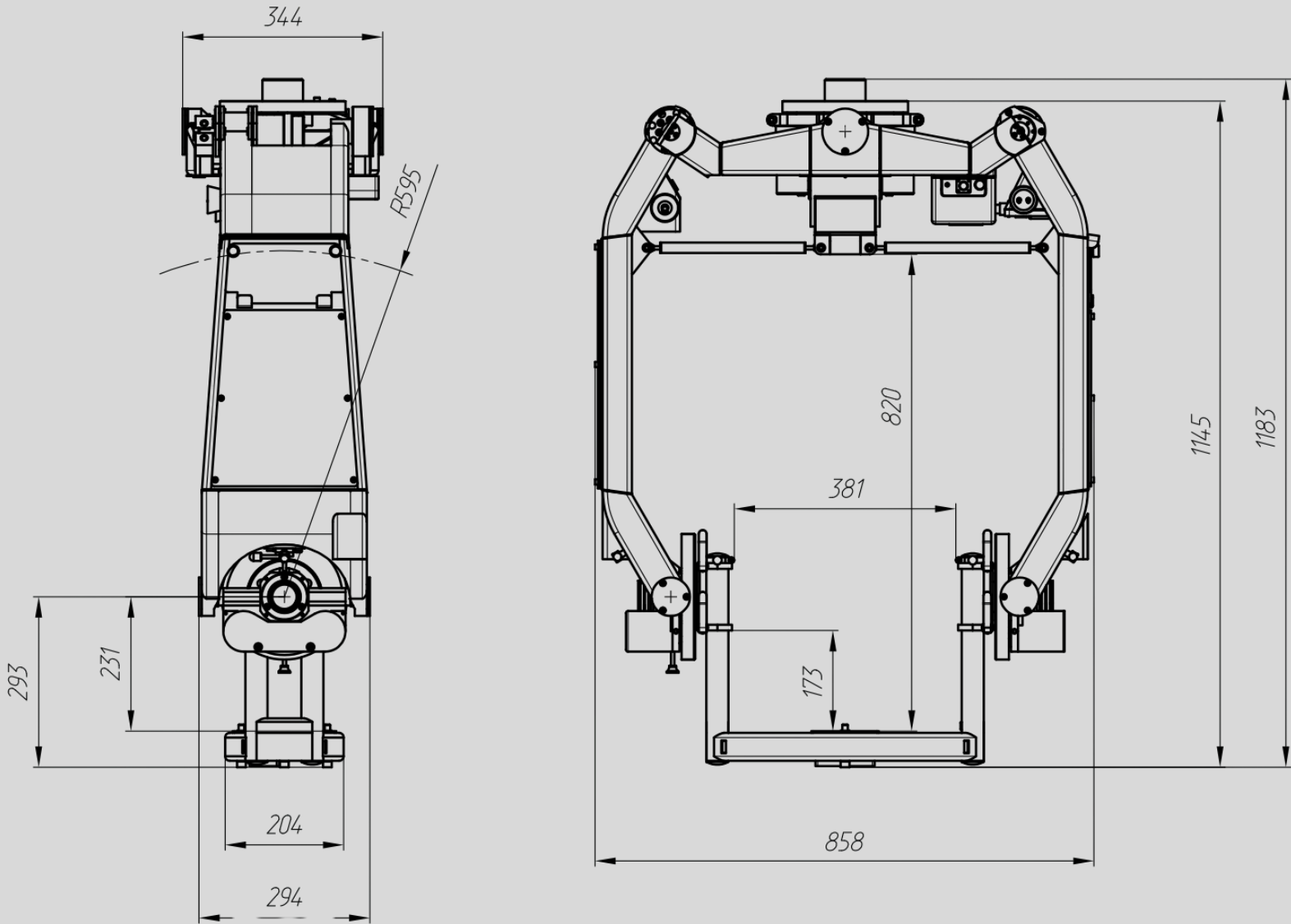
---Wireless Controller



LOS ANGELES • ATLANTA • NEW YORK

805-604-3399 tel. • pfi1000@me.com • www.PerformanceFilmworks.com

the *edge* Pi Head Dimensions



**Performance
Filmworks™**

LOS ANGELES • ATLANTA • NEW YORK

805-604-3399 tel. • pfi1000@me.com • www.PerformanceFilmworks.com