



edge Head Specs

Remote Controlled: Yes

3-Axis Gyro-Stabilized: Yes

Mounting Base: Mitchell

Temperature Range: -30° to + 130°F

Head Weighs: 62 lbs. (Standard Frame) 68 lbs. (Wide Frame)

Maximum Camera Weight: 150 lbs

Operational Speed: Up to 120 mph

Stabilization Specs: Up to 500mm Lens

Dimensions: (See Mechanical Drawings on Page 2)

Pan Range: 360° (Maximum 10 Revolutions)

Tilt Range: 360°

Roll/Dutch Range: 360° (Maximum 10 Revolutions)

Pan Speed: 180° per second

Tilt Speed: 180° per second

Roll/ Dutch Speed: 100° per second

OPTIONAL ACCESSORIES:

- Wheels Controls
- Spray Deflector
- Shaker Module
- Tracker Module
- Wireless Controller
- Vibration Isolator
- Long Line for Aerials

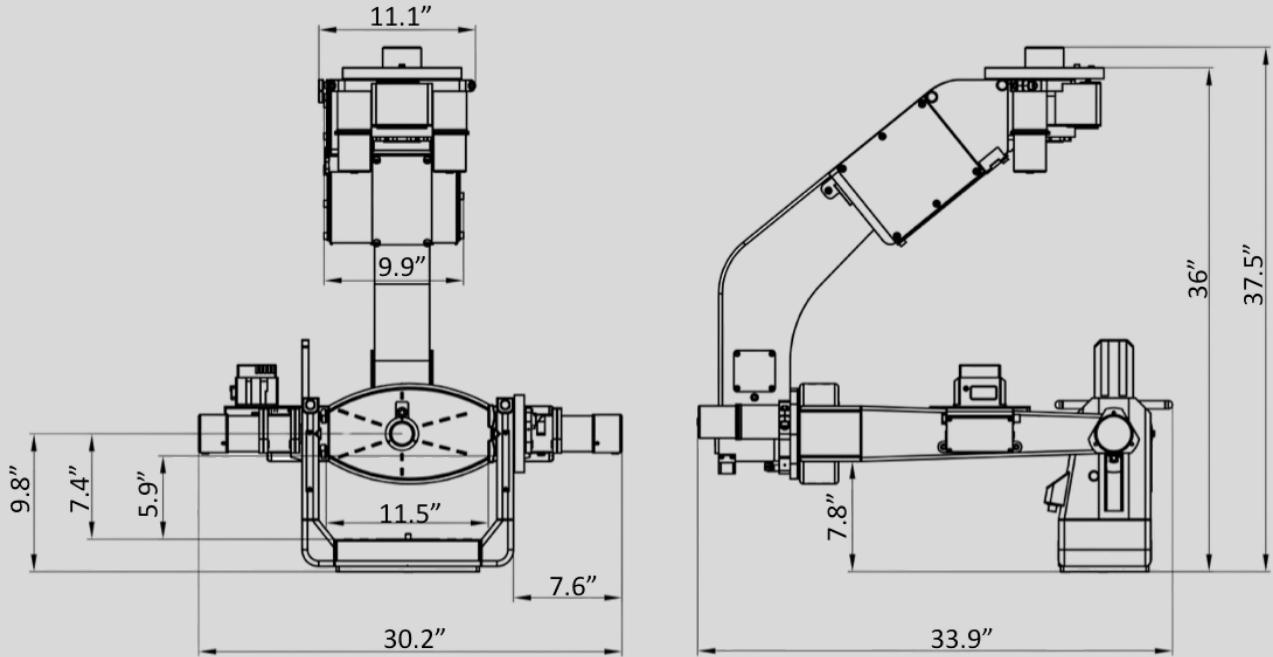


LOS ANGELES • ATLANTA • NEW YORK

805-604-3399 tel. • pfi1000@me.com • www.PerformanceFilmworks.com

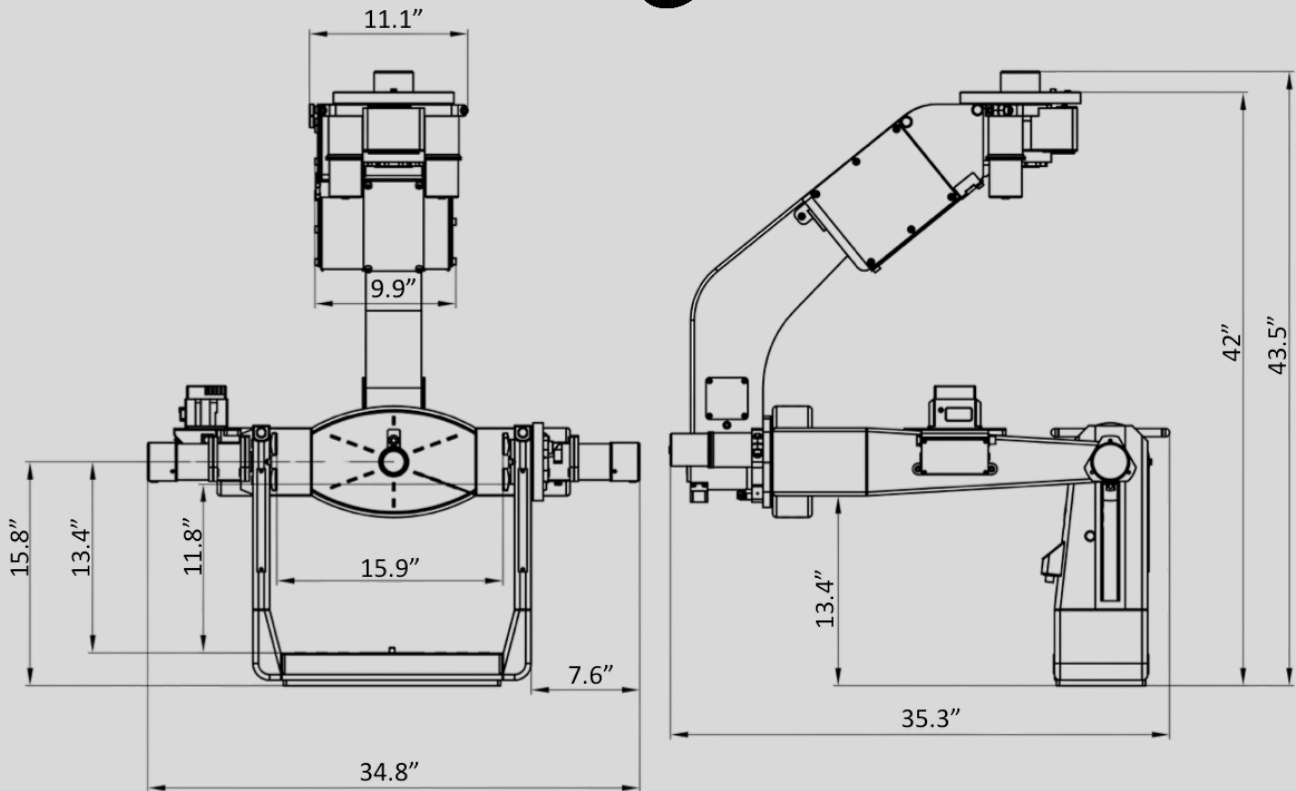
the *edge*

Narrow EDGE Head Dimensions



the *edge*

Wide EDGE Head Dimensions



**Performance
Filmworks™**

LOS ANGELES • ATLANTA • NEW YORK

805-604-3399 tel. • pfi1000@me.com • www.PerformanceFilmworks.com