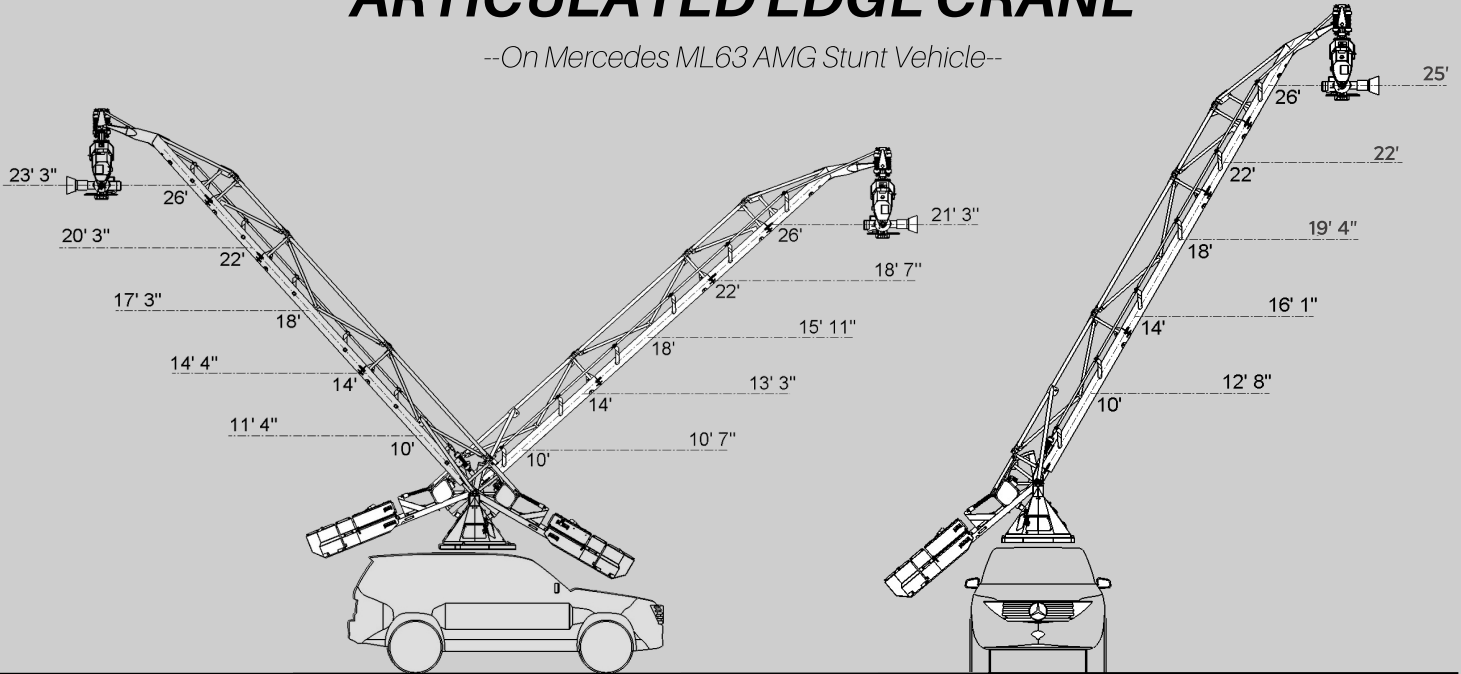


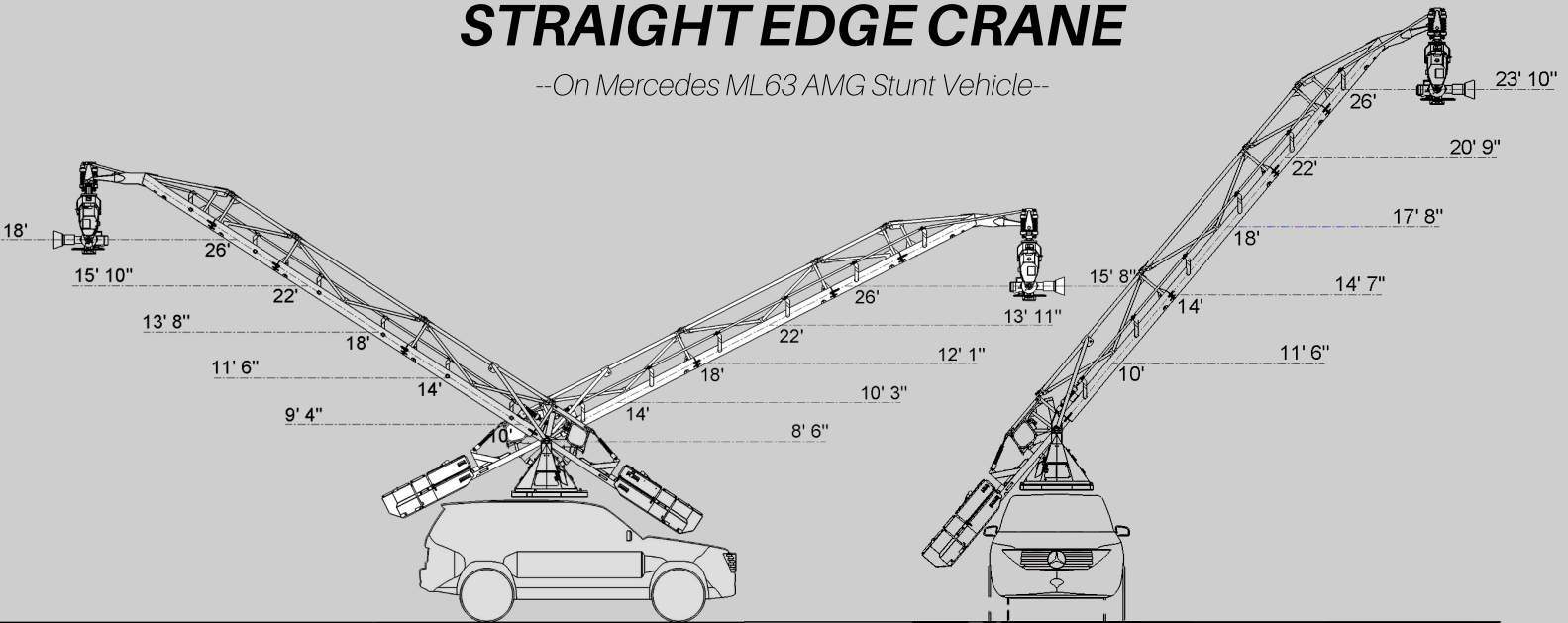
ARTICULATED EDGE CRANE

--On Mercedes ML63 AMG Stunt Vehicle--



STRAIGHT EDGE CRANE

--On Mercedes ML63 AMG Stunt Vehicle--



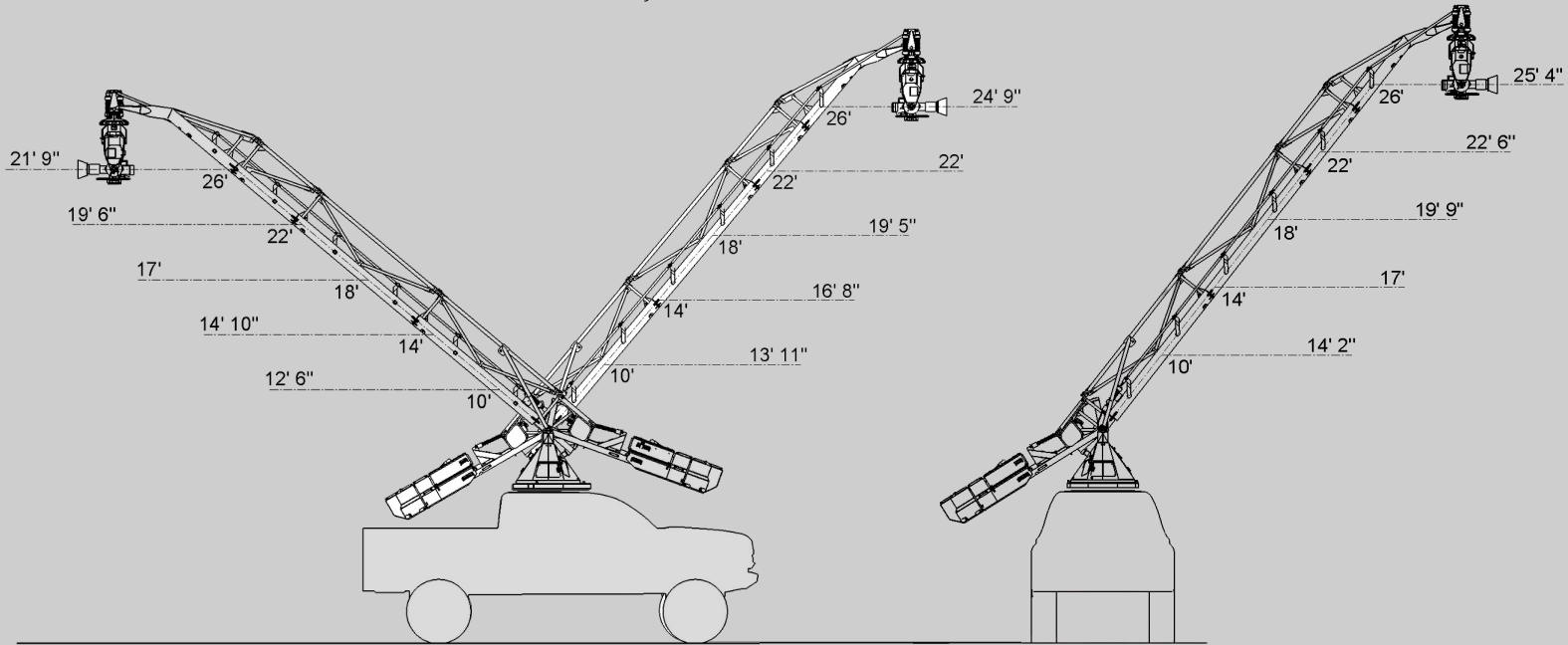
**Performance
Filmworks™**

LOS ANGELES • ATLANTA • NEW YORK

805-604-3399 tel. • pfi1000@me.com • www.PerformanceFilmworks.com

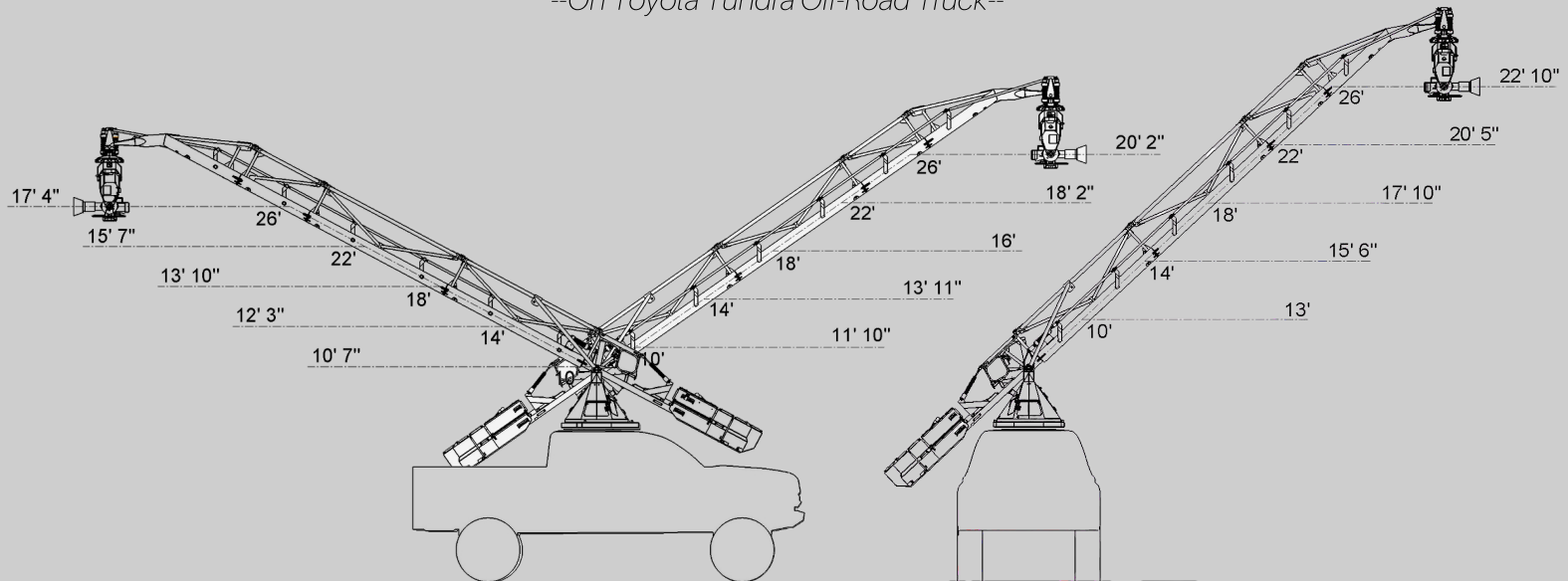
ARTICULATED EDGE CRANE

--On Toyota Tundra Off-Road Truck--



STRAIGHT EDGE CRANE

--On Toyota Tundra Off-Road Truck--



LOS ANGELES • ATLANTA • NEW YORK

805-604-3399 tel. • pfi1000@me.com • www.PerformanceFilmworks.com



edge Crane Specs

Gyrostabilized Pan and Tilt

Pan Speed: 80° per second = 360° in 4.5 seconds

Tilt Speed: 80° per second

Tilt Range: 120°

Crane Lengths: · 10-feet

· 14-feet

· 18-feet **STANDARD LENGTH** (includes 4-foot extension)

· 22-feet (includes 8-foot extension)

· 26-feet (includes 4-foot and 8-foot extensions)

***Articulated Rear Crane Section = Significantly Increased Lens Height**

Maximum Payload (Camera Package + Camera Head): 220 lbs.

Operating Temperature Range: -30°F to +130°F



LOS ANGELES • ATLANTA • NEW YORK

805-604-3399 tel. · pfi1000@me.com · www.PerformanceFilmworks.com