



## *edge* Arch Head

*Remote Controlled:* Yes

*3-Axis Gyro-Stabilized:* Yes

*Mounting Base:* Mitchell

*Operator Options:* Joysticks or Wheels

*Temperature Range:* -30° to + 130°F

*Head Weight:* 62 lbs.

*Maximum Camera Weight:* 150 lbs

*Operational Speed:* Up to 120 mph

*Stabilization Specs:* Up to 500mm Lens

*Pan Range:* 360°

*Tilt Range:* +80° / -240°

*Roll/Dutch Range:* +40° / -40°

*Dimensions:* (See Mechanical Drawings on Page 2)

*Which kinds of cameras can you use?:*

Any Camera: Film, HD, 3D, Still, Multi-Camera Arrays.

*Which lens configuration can you use?:*

Any lens, Including Long Zoom, Master Zoom

### *OPTIONAL ACCESSORIES:*

---Wheels Controls

---Spray Deflector

---Shaker Module

---Tracker Module

---Wireless Controller

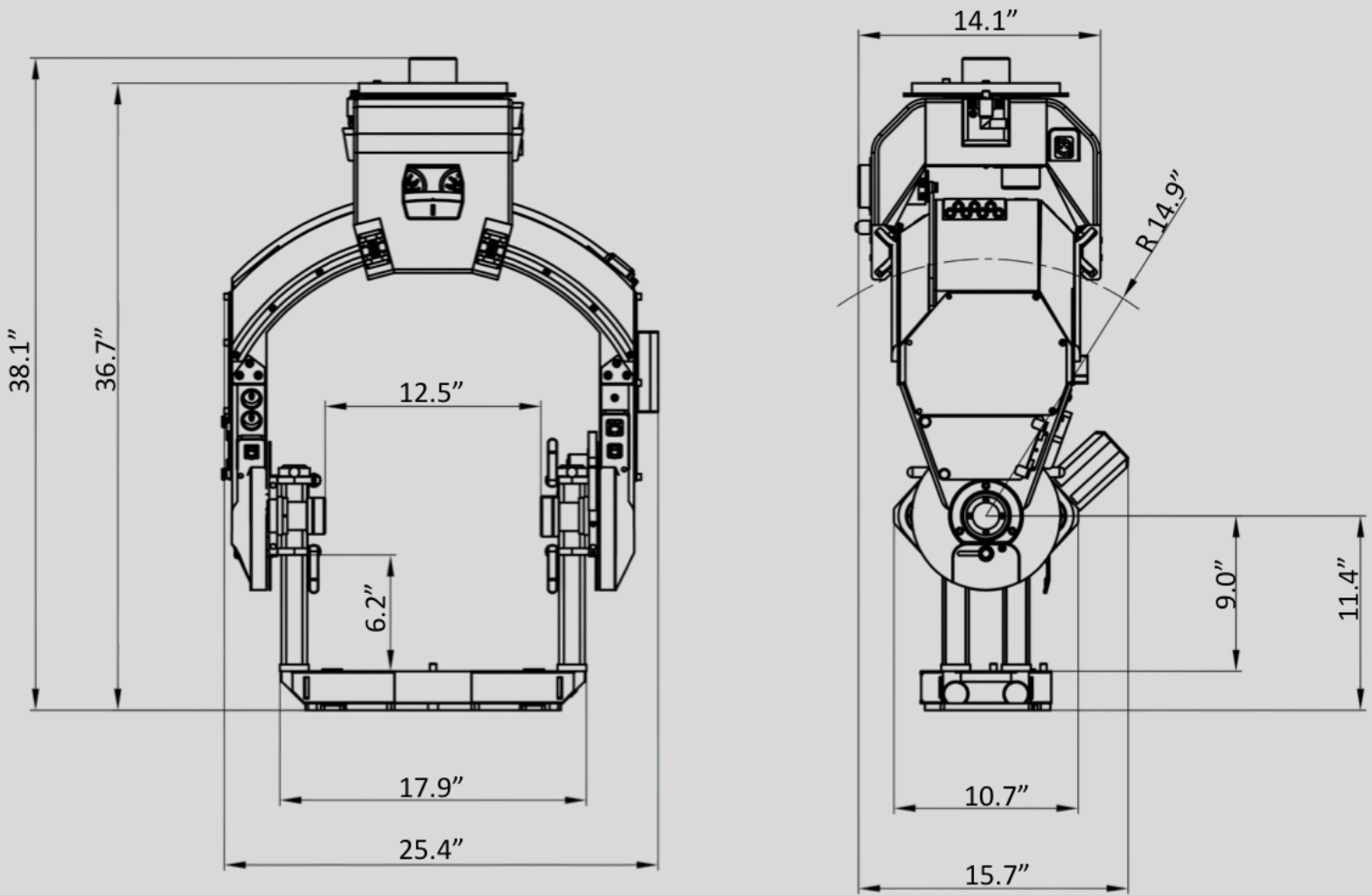
---Long Line for Aerials

**Performance  
Filmworks™**

LOS ANGELES • ATLANTA • NEW YORK

805-604-3399 tel. • pfi1000@me.com • www.PerformanceFilmworks.com

*the edge* Arch Head Dimensions



LOS ANGELES • ATLANTA • NEW YORK

805-604-3399 tel. • pfi1000@me.com • www.PerformanceFilmworks.com